

50 Amp, 125/250, 3Ø 250 Volts and 3Ø 480 Volts AC

IP20
SUITABILITY



**50A
125/250V AC**
UL/CSA



**50A
3Ø 250V AC**
UL/CSA



**50A
3Ø 480V AC**
UL/CSA

Plugs

Description	Cord Dia.	Catalog Number		
Nylon cover, thermoplastic polyester interior.	.830"-1.250" (21.08-31.75)	CS6365C	CS8365C	CS8165C

Note: See page B-62 for accessories.



Flanged Inlets

Description	Catalog Number		
Zinc plated steel casing, thermoset interior.	CS6375	CS8375	CS8175
Zinc plated steel casing, thermoset interior with lift cover.	CS6375M2	-	-
Gray Valox® housing and flange.	HBL6375S*	-	-

Note: *Type 3R, (Not shown).



IP20
SUITABILITY



**50A
125/250V AC**
UL/CSA



**50A
3Ø 250V AC**
UL/CSA

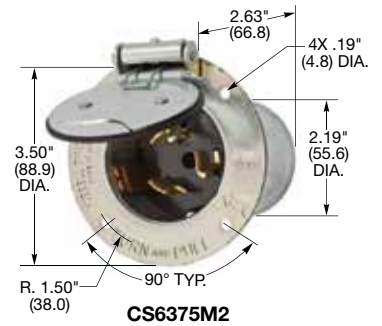


**50A
3Ø 480V AC**
UL/CSA

Connector Bodies

Description	Cord Dia.	Catalog Number		
Nylon cover, thermoplastic polyester interior.	.830"-1.250" (21.08-31.75)	CS6364C	CS8364C	CS8164C
Insulgrip® Connector with conduit adapter. Capable of accepting metallic or non-metallic conduit fittings.	½" NPT Size	-	CS8364CA05	-
	¾" NPT Size	-	CS8364CA34	-
	1" NPT Size	-	CS8364CA10	-

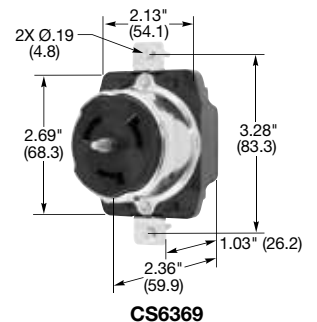
Note: See page B-62 for accessories.



Receptacles

Description	Catalog Number		
Black phenolic.	CS6369	CS8369	CS8169

Note: See page B-62 for accessories.



Valox® is a trademark of SABIC Innovative Plastics, acquired from General Electric Company.

Dimensions in Inches (mm)